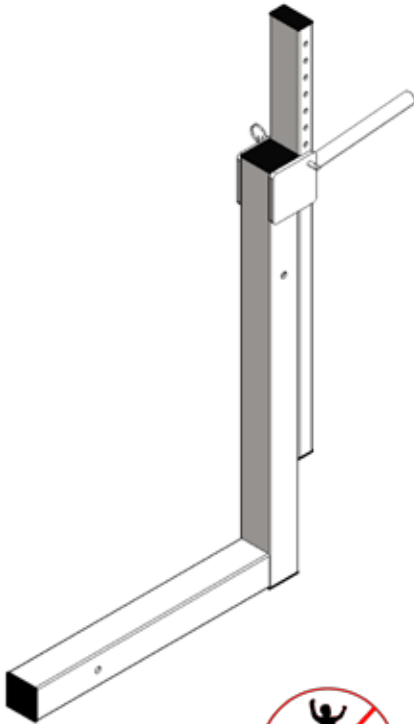


Adjustable Seat Pole Instructions

PART #: F-ASAPRL

MANDATORY – LEAVE THIS MANUAL WITH LIFT OWNER



Read & Follow All Instructions
Lift safety can only be ensured if the lift is installed and operated according to these instructions



NEVER permit children to play on or around the lift.
Do not allow children to use the lift without adult supervision.



NEVER apply direct water pressure to the electronics



NEVER use the lift with a dry pool



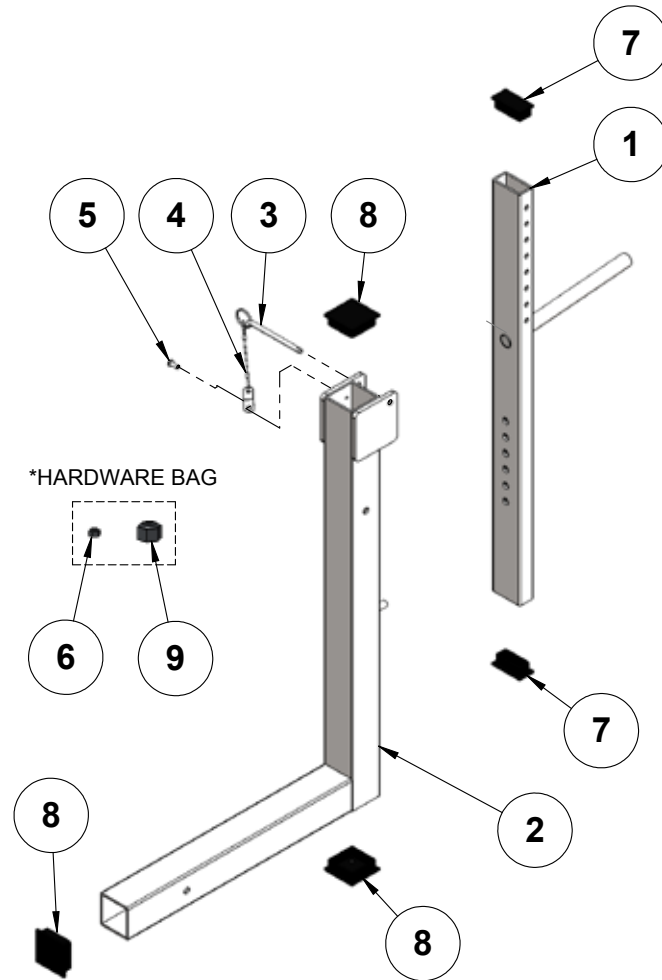
For safety reasons, **NEVER** swim alone

9889 Garrymore Ln
Missoula, MT 59808
888-687-3552 | +1-406-549-0769
aquacreek.com



SAVE a copy of these instructions

Parts List



***Hardware bag contains (1) 5/16" nylock and (1) 3/4" nylock which are to be used in place of the current nylocks on your lift that will be removed during the installation of the adjustable seat pole.**

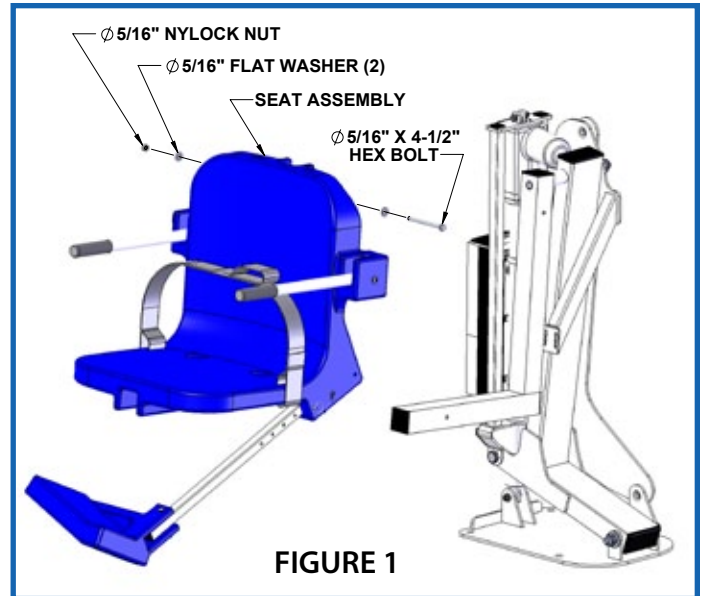
ITEM #	QTY	PART #	DESCRIPTION
1	1	ASA-100-15	ADJUSTABLE SEAT POLE WELDMENT
2	1	ASC-100-10	ADJUSTABLE SEAT CRADLE WELDMENT
3	1	COTTER PIN, 1/4 X 3 1/4	PIN, COTTERLESS PIN, 18-8 SS, 1/4 X 3 3/4
4	1	LANYARD	LANYARD, FOR FOOTREST PIN, SS
5	1	SCREW, #10-24 X 1/4 PHSMS	SCREW, 316 SS, #10-24 X 1/4", PHSMS
6	1	NYLOCK, 5/16-18 SS	NUT, 316 SS, NYLOCK, 5/16"-18
7	2	RER-1X2-10-14	CAP, PLASTIC, RECTANGLE, 1"X2"
8	3	SQR-2-10-14	CAP, PLASTIC, 2" X 2" SQUARE
9	1	NYLOCK, 3/4-10 SS	NUT, 316 SS, NYLOCK, 3/4"-10

TOOLS REQUIRED FOR ASSEMBLY:

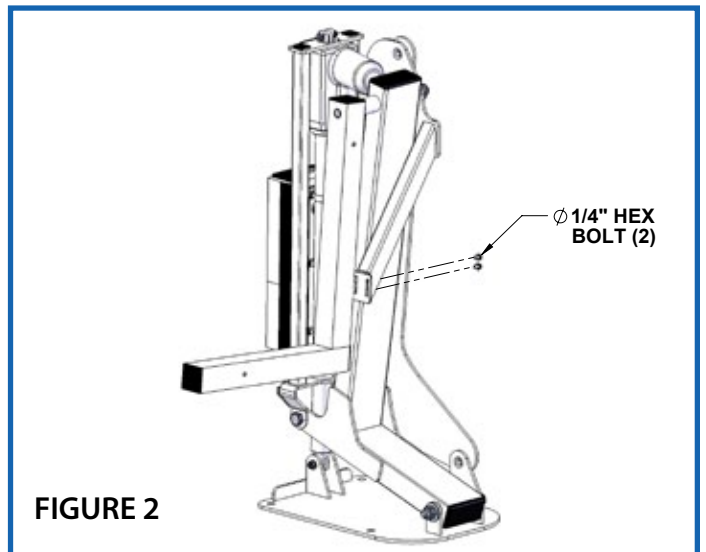
- (1) 3/8" WRENCH
- (1) 1 1/8" WRENCH
- (2) 1/2" WRENCHES

Adjustable Seat Pole Instructions

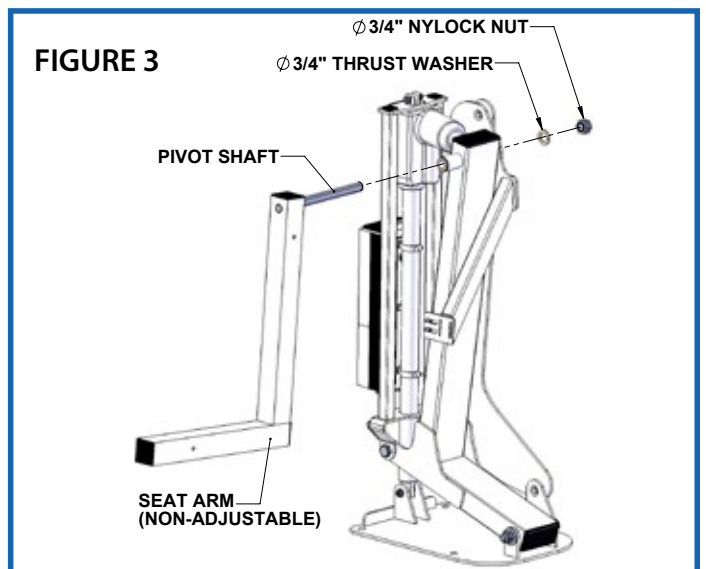
In order to install the adjustable seat pole the old, non-adjustable, seat arm must be removed first. To do this first remove the 5/16" x 4 1/2" hex bolt and 5/16" hardware that connects the seat assembly to the seat arm using the (2) 1/2" wrenches. Remove the seat, along with the footrest, and set gently aside. See FIGURE 1.



Next, remove the two (2) 1/4" hex bolts from the main frame using the 3/8" wrench. See FIGURE 2.



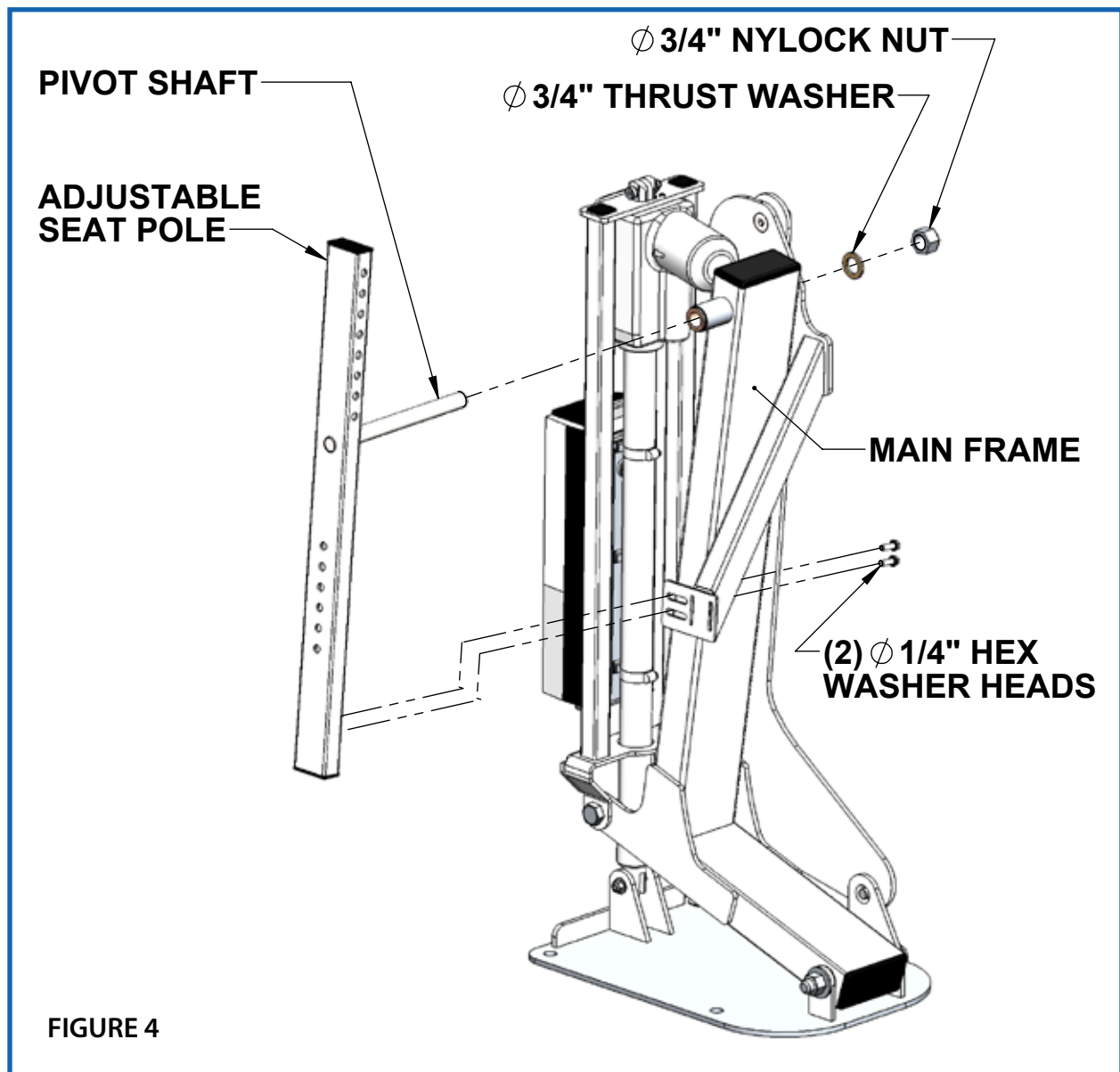
Now, remove the 3/4" nylock nut and the 3/4" thrust washer using the 1 1/8" wrench. Once the hardware has been removed, the seat arm can be slid clear from the rest of the lift. See FIGURE 3.



NOTE: Be sure to save all hardware, except for the nylock nuts, as it will be reused on the new adjustable seat arm.

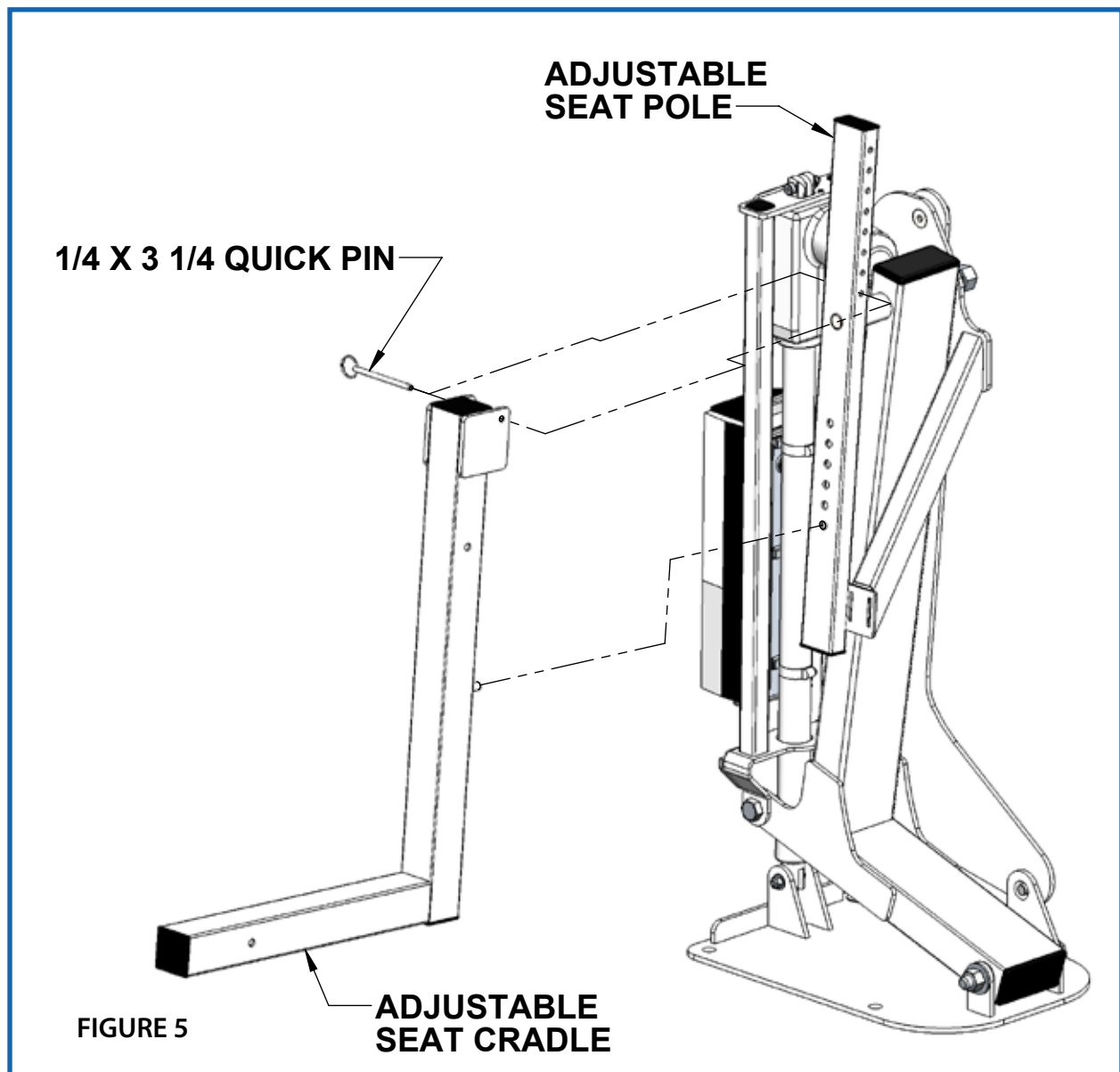
Adjustable Seat Pole Instructions

FIGURE 4 shows how to assemble the adjustable seat pole to the main frame. Slide the pivot shaft of the adjustable seat pole into the main frame and attach the 3/4" thrust washer and the new 3/4" nylock nut using the 1 1/8" wrench. Then connect the (2) 1/4" hex washer head bolts using a 3/8" wrench. Keep the (2) 1/4" hex washer head bolts loose for now as you will need to make sure the seat is going to sit level before tightening.



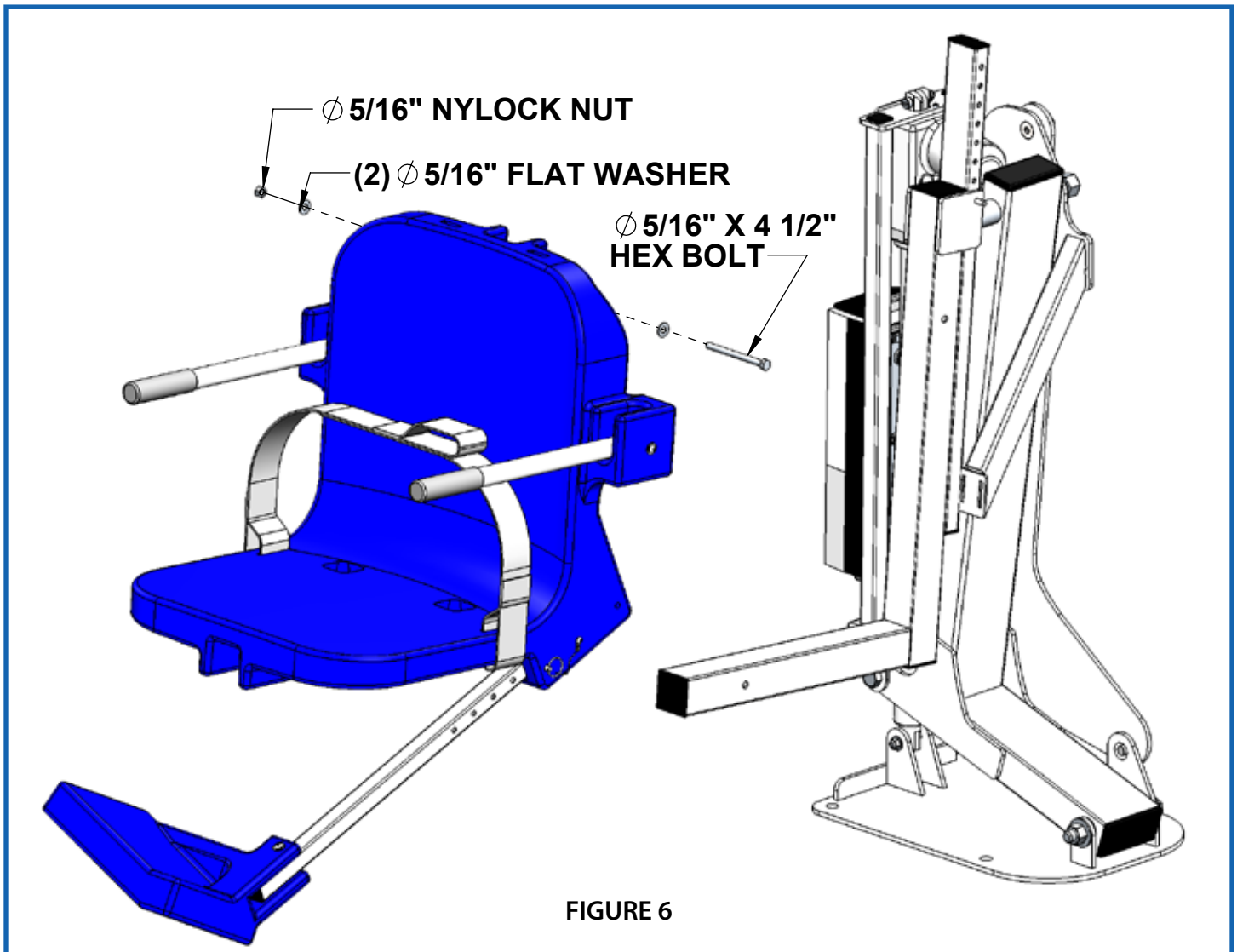
Adjustable Seat Pole Instructions

FIGURE 5 shows adding the adjustable seat cradle to the adjustable seat pole. The seat cradle can be installed at any height location along the seat pole. At the lowest position, the loading seat height will be at 16" while at the highest setting the loading seat height will be 23".



Adjustable Seat Pole Instructions

FIGURE 6 shows how to reinstall the seat and footrest assembly. First set the seat assembly in place on the seat cradle and then attach with the 5/16" x 4 1/2" hex bolt, 5/16" flat washers, and the new 5/16" nylock nut using the (2) 1/2" wrenches.



*Once the seat has been connected, make sure the seat is sitting level and then tighten the (2) 1/4" hex washer head bolts that were left loose in FIGURE 4.

The lift is now ready for use!

Height Adjustment Instructions

If the height of the chair ever needs to be adjusted, remove the 1/4" x 3 1/4" quick pin that connects the seat cradle to the seat pole. Then, slide the seat cradle up or down along the seat pole until the desired height is reached and reinstall the 1/4" pin. The seat pole has 7" of adjustability in 1" increments. See FIGURE 7 below.

